

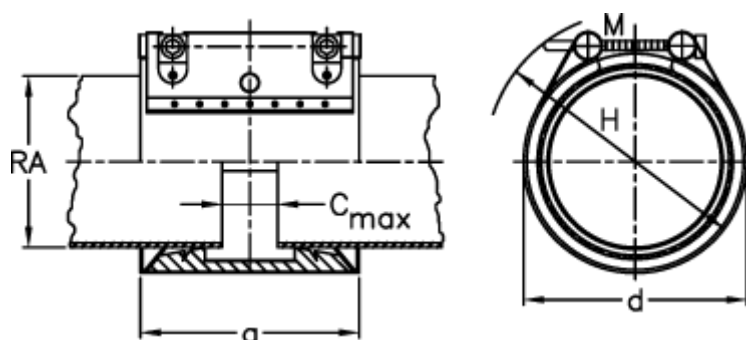
Data Sheet



Article number: 025788400054

Description: Norma Connect pipe coupling
GRIP W2 Ø=54,0 NBR, 16 bar

Measures



| | | |
|---------------------------|----------------------|----------------------|
| a | = 77.400000000000006 | Weight a piece = 0.8 |
| C max with insertion band | = 17 | |
| d | = 75 | |
| H | = 95 | |
| M (screw) | = M8 | |
| Nominal pressure (bar) | = 16 | |
| RA | = 54 | |
| RA min-RA max | = 53,6-54,9 | |